

Agilent PNA Series Microwave Network Analyzers

Configuration Guide

E8362A 45 MHz to 20 GHz

E8363A 45 MHz to 40 GHz

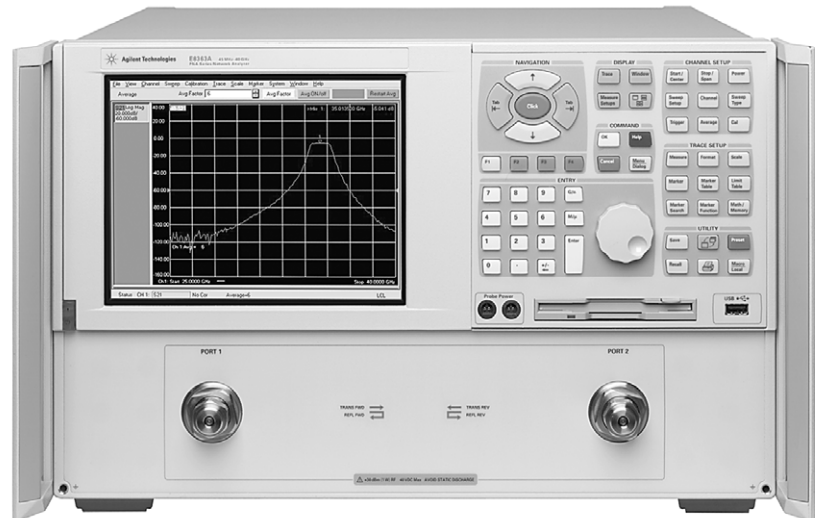
E8364A 45 MHz to 50 GHz

System configuration summary

This summary lists the main components required to form a basic measurement system. Options or peripherals may be added to provide enhanced measurement and data storage capability.

Full S-parameter measurements

- **Agilent PNA Series microwave network analyzers**
- **Test port cables, 50 ohms**
- **Calibration kit for applicable connector type**



This configuration guide describes standard configurations, options, accessories, upgrade kits and compatible peripherals for the PNA Series microwave network analyzers. This guide should be used with the *Agilent PNA Series Microwave Network Analyzers, Data Sheet* for a complete description of these analyzers.

Ordering guide for PNA Series network analyzers

This guide is intended to assist you in the ordering process. Additional information and products (such as calibration kits and cables) are described throughout this document.

- = **Choose ONE and ONLY one**
- = **Choose any combination**

Step 1: Choose a frequency range and number of ports
(**Must choose one and only one**)

- 300 kHz to 9 GHz, please refer to the *RF PNA Series Configuration Guide* (literature number 5980-1235E)
- 45 MHz to 20 GHz choose E8362A
- 45 MHz to 40 GHz choose E8363A
- 45 MHz to 50 GHz choose E8364A

Step 2: Would you like extended power range?

- Yes (Option UNL)
- No (Standard power range)

Step 3: Would you like a configurable test set?

- Yes (Option 014)
- No (Standard test set)

Step 4: Would you like time domain analysis?

- Yes (Option 010)
- No

Step 5: Would you like any accessories for your network analyzer?

- Rack mount kit with handles (Option 1CP)
- Rack mount kit without handles (Option 1CM)

Step 6: Would you like a commercial calibration certificate with test data?

- Yes (Option UK6)
- No

Step 7: Would you like an extended 5-year return-to-Agilent warranty?

- Yes (Option R-51B, order quantity 60 months)
- No (Standard 3-year return-to-Agilent warranty)

Step 8: Would you like any additional documentation for your network analyzer?
(An English CD-ROM is shipped with each instrument.)

- Service documentation, assembly level (Option 0BW)
- United States - English documentation set (Option AVK)
- Germany - German documentation set (Option ABD)
- Spain - Spanish documentation set (Option ABE)
- France - French documentation set (Option ABF)
- Japan - Japanese documentation set (Option ABJ)

Step 9: Would you like a return-to-Agilent calibration plan? If yes, for 3 years order 36 months of the appropriate calibration plan. For 5 years specify 60 months.

- Yes (Option R-50-C-001, standard commercial calibration)
- Yes (Option R50-C-002, standards-compliant calibration)
- No

Agilent Microwave PNA Series

The microwave PNA Series instruments are integrated vector network analyzers equipped with a built-in LCD display, hard and floppy disk drives, S-parameter test set and synthesized source. The E8362A analyzer has two 50-ohm, 3.5 mm (m) test ports. The E8363A and E8364A analyzers have two 50-ohm, 2.4-mm (m) test ports. Included with each instrument is a mouse, keyboard, CD-ROM containing a copy of online help and programming documentation, a mini parallel-to-parallel adapter, and a 3-year return-to-Agilent service warranty.

- E8362A** network analyzer, 45 MHz to 20 GHz
- E8363A** network analyzer, 45 MHz to 40 GHz
- E8364A** network analyzer, 45 MHz to 50 GHz

Options

- Option 010** time-domain capability
For viewing reflection and transmission responses in time or distance domain.
- Option 014** configurable test set
With the configurable test set option, six front panel access loops are provided. Three access loops are for port one and three for port two. The loops provide access to the signal path between (a) the source output and the reference receiver, (b) the source output and directional coupler thru and (c) the coupled arm of the directional coupler and the port receiver. This option provides the capability to improve measurement sensitivity for measuring low-level signals, to reverse the directional coupler to achieve even more dynamic range or to add components and other peripheral instruments for a variety of measurement applications.
- Option 1CM** rack mount kit
Adds a rack mount (5063-9217) and rail kit (E3663AC) for use without handles
- Option 1CP** rack mount kit
Adds a rack mount (5063-9237) and rail kit (E3663AC) for use with previously supplied handles
- Option UNL** Extended power range and bias tees
Adds two step attenuators and two bias tees. A step attenuator and bias tee set is inserted between the source and test port one and another set between the source and test port two.

Documentation

- Option 0BW** adds printed copy of assembly level service manual

Localization

The following options provide a translated, printed copy of Online Help and an English printed copy of programming documentation.

- Option AVK** English manual
- Option ABD** German manual
- Option ABE** Spanish manual
- Option ABF** French manual
- Option ABJ** Japanese manual

Certification options

- Option UK6** Commercial calibration certificate with test data

Warranty and service

For warranty and service of 5 years, please order 60 months of R-51B (quantity = 60). Standard warranty is 36 months.

- Option R-51B** Return-to-Agilent warranty and service plan

Calibration¹

For 3 years order 36 months of the appropriate calibration plan shown below. For 5 years, specify 60 months.

- Option R-50C-001** Standard calibration
- Option R-50C-002** Standards-compliant calibration

For online information about Agilent's service and support products visit:
www.agilent.com/find/tm_services

1. Options not available in all countries.

Measurement accessories

A complete line of RF and microwave test accessories can be found in the *Agilent RF and Microwave Test Accessories Catalog* (literature number 5968-4314EN) or by visiting www.agilent.com/find/mta or www.agilent.com/find/accessories

Accessories are available in these connector types: 50 ohm Type-N, 3.5 mm, 7 mm, 2.4 mm, 2.92 mm, and waveguide. Test port cables and a calibration kit should be added for a complete measurement system. A verification kit is used to verify corrected system performance.

Cables and adapter sets

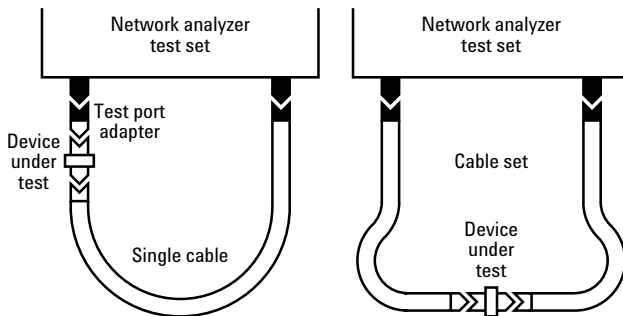
Agilent offers cables in the following types:

- single cables in semi-rigid and flexible
- cable set in semi-rigid and flexible

There are also adapter sets available that protect the test port and convert the port to the desired connector interface. These kits contain:

- one male adapter
- one female adapter

To attain the best mechanical rigidity for device connection, use a single cable and the appropriate special adapter set. To attain the greatest flexibility for device connection, use a cable set.



Calibration kits

Coaxial measurements

Mechanical calibration kits include standards, such as open/short circuits and loads, which are measured by the network analyzer for increased measurement accuracy.

Choose a calibration kit for each connector type to be used.

Economy, includes:

- open standards (male and female)
- short standards (male and female)
- fixed-termination standards (male and female)
- in-series adapters

Standard, includes the devices in the economy kit and adds:

- sliding load standards (male and female)

Precision, includes the devices in the economy kit and adds:

- 50 ohm airline(s) for TRL calibration
TRL adapters

Waveguide measurements

For waveguide measurements, Agilent offers calibration kits that include:

- waveguide-to-coax adapters (X, P, K)
- precision waveguide section
- flush short circuit
- fixed terminations
- straight section

For devices with 2.4 mm connectors

Mechanical calibration kits

- **85056A** standard: 45 MHz to 50 GHz.
Includes:
 - 00901-60003 2.4 mm (m) fixed broadband load
 - 00902-60004 2.4 mm (f) fixed broadband load
 - 00915-60003 2.4 mm (m) sliding load
 - 00915-60004 2.4 mm (f) sliding load
 - 85056-60005 2.4 mm (m) to 2.4 mm (m) adapter
 - 85056-60006 2.4 mm (f) to 2.4 mm (f) adapter
 - 85056-60007 2.4 mm (m) to 2.4 mm (f) adapter
 - 85056-60020 2.4 mm (m) short
 - 85056-60021 2.4 mm (f) short
 - 85056-60022 2.4 mm (m) open
 - 85056-60023 2.4 mm (f) open
- **85056D** economy: 45 MHz to 50 GHz. Includes:
 - 00901-60003 2.4 mm (m) fixed broadband load
 - 00902-60004 2.4 mm (f) fixed broadband load
 - 85056-60005 2.4 mm (m) to 2.4 mm (m) adapter
 - 85056-60006 2.4 mm (f) to 2.4 mm (f) adapter
 - 85056-60007 2.4 mm (m) to 2.4 mm (f) adapter
 - 85056-60020 2.4 mm (m) short
 - 85056-60021 2.4 mm (f) short
 - 85056-60022 2.4 mm (m) open
 - 85056-60023 2.4 mm (f) open

Cables¹

- **85133C** single, semi-rigid: 2.4 mm, 81 cm, 32 inches
- **85133D** set, semi-rigid: 2.4 mm, 53 cm each, 21 inches
- **85133E** single, flexible: 2.4 mm, 81 cm, 32 inches
- **85133F** set, flexible: 2.4 mm, 53 cm each, 21 inches

Adapter set

- **85130G** 2.4 mm¹ to 2.4 mm

For devices with K connectors (2.92mm)

Mechanical calibration kits

- **85056K** 2.92/2.4 economy: 45 MHz to 50 GHz.
Includes:
 - 00901-60003 2.4 mm (m) fixed broadband load
 - 00902-60004 2.4 mm (f) fixed broadband load
 - 00915-60003 2.4 mm (m) sliding load (Option 001)
 - 00915-60004 2.4 mm (f) sliding load (Option 001)
 - 11904-60001 2.4 mm (m) to 2.92 mm (m) adapter
 - 11904-60002 2.4 mm (f) to 2.92 mm (f) adapter
 - 11904-60003 2.4 mm (m) to 2.92 mm (m) adapter
 - 11904-60004 2.4 mm (f) to 2.92 mm (f) adapter
 - 85056-60005 2.4 mm (m) to 2.4 mm (m) adapter
 - 85056-60006 2.4 mm (f) to 2.4 mm (f) adapter
 - 85056-60007 2.4 mm (m) to 2.4 mm (f) adapter
 - 85056-60020 2.4 mm (m) short
 - 85056-60021 2.4 mm (f) short
 - 85056-60022 2.4 mm (m) open
 - 85056-60023 2.4 mm (f) open

Cables^{1, 2}

- **85133C** single, semi-rigid: 2.4 mm, 81 cm, 32 inches
- **85133D** set, semi-rigid: 2.4 mm, 53 cm each, 21 inches
- **85133E** single, flexible: 2.4 mm, 81 cm, 32 inches
- **85133F** set, flexible: 2.4 mm, 53 cm each, 21 inches

Adapters

- **11904A** 2.4 mm (m) to K (m)
- **11904B** 2.4 mm (f) to K (f)
- **11904C** 2.4 mm (m) to K (f)
- **11904D** 2.4 mm (f) to K (m)
- **11904S** 2.4 mm to K adapter set

1. Special rugged female connector specifically for connecting to the network analyzer test port, but does not mate with a standard male connector.

2. 2.4 mm to K type adapters are required in addition to these cables.

For devices with 3.5 mm or SMA connectors

Mechanical calibration kits

- **85052B** standard: 45 MHz to 26.5 GHz. Includes:
 - 00902-60003 3.5 mm (m) fixed load
 - 00902-60004 3.5 mm (f) fixed load
 - 00911-60019 3.5 mm (m) sliding load
 - 00911-60020 3.5 mm (f) sliding load
 - 85052-60006 3.5 mm (m) short
 - 85052-60007 3.5 mm (f) short
 - 85052-60008 3.5 mm (m) open
 - 85052-60009 3.5 mm (f) open
 - 85052-60012 3.5 mm (f) to 3.5 mm (f) adapter
 - 85052-60013 3.5 mm (f) to 3.5 mm (m) adapter
 - 85052-60014 3.5 mm (m) to 3.5 mm (m) adapter
- **85052C** precision TRL: 45 MHz to 26.5 GHz. Includes:
 - 00902-60003 3.5 mm (m) fixed load
 - 00902-60004 3.5 mm (f) fixed load
 - 85052-60006 3.5 mm (m) short
 - 85052-60007 3.5 mm (f) short
 - 85052-60008 3.5 mm (m) open
 - 85052-60009 3.5 mm (f) open
 - 85052-60032 3.5 mm (f) to 3.5 mm (f) adapter
 - 85052-60033 3.5 mm (m) to 3.5 mm (m) adapter
 - 85052-60034 3.5 mm (f) to 3.5 mm (m) adapter
 - 85052-60035 3.5 mm short TRL line
 - 85052-60036 3.5 mm long TRL line
- **85052D** economy: 45 MHz to 26.5 GHz. Includes:
 - 00902-60003 3.5 mm (m) fixed load
 - 00902-60004 3.5 mm (f) fixed load
 - 85052-60006 3.5 mm (m) short
 - 85052-60007 3.5 mm (f) short
 - 85052-60008 3.5 mm (m) open
 - 85052-60009 3.5 mm (f) open
 - 85052-60012 3.5 mm (f) to 3.5 mm (f) adapter
 - 85052-60013 3.5 mm (f) to 3.5 mm (m) adapter
 - 85052-60014 3.5 mm (m) to 3.5 mm (m) adapter

Cables¹

- **85131C** single, semi-rigid: 3.5 mm to 3.5 mm, 81 cm, 32 inches²
- **85131D** set, semi-rigid: 3.5 mm to 3.5 mm, 53 cm each, 21 inches each²
- **85131E** single, flexible: 3.5 mm to 3.5 mm, 96.5 cm, 38 inches²
- **85131F** set, flexible: 3.5 mm to 3.5 mm, 62.2 cm each, 24.5 inches each²
- **85134C** single, semi-rigid: 3.5 mm to 2.4 mm, 81 cm, 32 inches
- **85134D** set, semi-rigid: 3.5 mm to 2.4 mm, 53 cm each, 21 inches each
- **85134E** single, flexible: 3.5 mm to 2.4 mm, 96 cm, 38 inches
- **85134F** set, flexible: 3.5 mm to 2.4 mm, 53 cm each, 21 inches each

Adapter sets

- **85130F** 2.4 mm¹ to 3.5 mm

For devices with Type-N connectors

Mechanical calibration kits

- **85054B** standard: 45 MHz to 18 GHz. Includes:
 - 00909-60011 Type-N (m) fixed lowband load
 - 00909-60012 Type-N (f) fixed lowband load
 - 85054-60025 Type-N (m) short
 - 85054-60026 Type-N (f) short
 - 85054-60027 Type-N (m) open
 - 85054-60028 Type-N (f) open
 - 85054-60031 Type-N (f) to 7mm adapter
 - 85054-60032 Type-N (m) to 7mm adapter
 - 85054-60037 Type-N (f) to Type-N (f) adapter
 - 85054-60038 Type-N (m) to Type-N (m) adapter
 - 85054-80010 Type-N (f) sliding load
 - 85054-80009 Type-N (m) sliding load
 - 85054-60050 Type-N (f) connector gage
 - 85054-60052 Type-N (f) gage master
 - 85054-60051 Type-N (m) connector gage
 - 85054-60053 Type-N (m) gage master
- **85054D** economy: 45 MHz to 18 GHz. Includes:
 - 85054-60025 Type-N (m) short
 - 85054-60026 Type-N (f) short
 - 85054-60027 Type-N (m) open
 - 85054-60028 Type-N (f) open
 - 85054-60031 Type-N (f) to 7mm adapter
 - 85054-60032 Type-N (m) to 7mm adapter
 - 85054-60037 Type-N (f) to Type-N (f) adapter
 - 85054-60038 Type-N (m) to Type-N (m) adapter
 - 85054-60046 Type-N (m) fixed load
 - 85054-60047 Type-N (f) fixed load

Cables¹

Use the test port cables recommended for devices with 7 mm connectors, and 7 mm to Type-N adapters that are from the 85054B/D Type-N calibration kit (see 7 mm connector section).

1. Special rugged female connector specifically for connecting to the network analyzer test port, but does not mate with a standard male connector.
2. For use with E8362A.

For devices with 7 mm connectors

Mechanical calibration kits

- **85050B** standard: 45 MHz to 18 GHz. Includes:
 - 00909-60008 7 mm coax termination
 - 85050-60006 7 mm fixed broadband load
 - 85050-80007 7 mm short
 - 85050-80010 7 mm open
 - 85050-80011 7 mm sliding load
- **85050C** precision TRL: 45 MHz to 18 GHz. Includes:
 - 00909-60008 7 mm coax termination
 - 85050-60003 7 mm to 7 mm airline
 - 85050-60005 7 mm to 7 mm TRL adapter
 - 85050-60006 7 mm fixed broadband load
 - 85050-80008 7 mm short
 - 85050-80009 7 mm short collet
 - 85050-80010 7 mm open
- **85050D** economy: 45 MHz to 18 GHz. Includes:
 - 85050-60006 7 mm fixed broadband load
 - 85050-80007 7 mm short
 - 85050-80010 7 mm open

Cables¹

- **85132C** single, semi-rigid: 7 mm to 3.5 mm, 81 cm, 32 inches²
- **85132D** set, semi-rigid: 7 mm to 3.5 mm, 53 cm each, 21 inches each²
- **85132E** single, flexible: 7 mm to 3.5 mm, 97.2 cm, 38.25 inches²
- **85132F** set, flexible: 7 mm to 3.5 mm, 62.9 cm each, 24.75 inches each²
- **85135C** single, semi-rigid: 7 mm to 2.4 mm, 81 cm, 32 inches
- **85135D** set, semi-rigid: 7 mm to 2.4 mm, 53 cm each, 21 inches each
- **85135E** single, flexible: 7 mm to 2.4 mm, 96 cm, 38 inches
- **85135F** set, flexible: 7 mm to 2.4 mm, 53 cm each, 21 inches each

Adapter sets

- **85130E** 2.4 mm¹ to 7 mm

For devices with waveguide

Mechanical calibration kits

X Band

- **X11644A** standard, WR-90: 8.2 to 12.4 GHz. Includes:
 - 00896-60008 X-band standard section
 - 00910-60003 X-band termination
 - 11644-20018 X-band short
 - 11644-20021 X-band shim
- **85132F** cable set (set, flexible 7 mm to 3.5 mm, 62.9 cm each, 24.75 inches each²)
- **85135F** cable set (set, flexible, 7 mm to 2.4 mm, 53 cm each, 21 inches each)
- **X281C** adapter (included in calibration kit): WR-90 to 7 mm

P Band

- **P11644A** standard, WR-62: 12.4 to 18 GHz. Includes:
 - 00896-60007 P-band standard section
 - 00910-60002 P-band termination
 - 11644-20017 P-band short
 - 11644-20020 P-band shim
- **85132F** cable set (set, flexible 7 mm to 3.5 mm, 62.9 cm each, 24.75 inches each²)
- **85135F** cable set (flexible, 7 mm to 2.4 mm, 53 cm each, 21 inches each)
- **P281C** adapter (included in calibration kit): WR-62 to 7 mm

K Band

- **K11644A** standard, WR-42: 18 to 26.5 GHz. Includes:
 - 00896-60006 K-band standard section
 - 00910-60001 K-band termination
 - 11644-20016 K-band short
 - 11644-20019 K-band shim
- **85134F** cable set (set, flexible, 3.5 mm to 2.4 mm, 53 cm each, 21 inches each)
- **K281C** adapter (included in calibration kit): WR-42 to 3.5 mm (f)
Option 012 WR-42 to 3.5 mm (m)

R Band

- **R11644A** standard, WR-28: 26.5 to 40 GHz. Includes:
 - 00914-20028 R-band termination
 - 11644-20005 R-band short
 - 11644-20003 R-band shim
 - 11644-60001 R-band 10 cm straight waveguide
 - 11644-60016 R-band 5 cm straight waveguide
- **85133F** cable set (set, flexible, 2.4 mm, 53 cm each, 21 inches each)
- **R281A** adapter (2.4 mm (f) to WR-28 waveguide adapter)
- **R281B** adapter (2.4 mm (m) to WR-28 waveguide adapter)

1. Special rugged female connector specifically for connecting to the network analyzer test port, but does not mate with a standard male connector.

2. For use with E8362A.

Q Band

- **Q11644A** standard, WR-22: 33 to 50 GHz.
Includes:
 - 11644-60005 Q-band termination
 - 11644-20004 Q-band short
 - 11644-20001 Q-band shim
 - 11644-60002 Q-band 10 cm straight waveguide
 - 11644-60017 Q-band 5 cm straight waveguide
- **85133F** cable set (set, flexible, 2.4 mm, 53 cm each, 21 inches each)
- **Q281A** adapter (2.4 mm (f) to WR-22 waveguide adapter)
- **Q281B** adapter (2.4 mm (m) to WR-22 waveguide adapter)

Verification kits

All Agilent verification kits include:

- precision Z_0 airline
- mismatched airline
- fixed attenuators
- traceable measured data and uncertainties

- **85057B** 45 MHz to 50 GHz 2.4 mm kit
Includes attenuators, airline and mismatch airline with data on a 3.5-inch disk for use in confirming accuracy enhanced system measurement performance, traceable to national standards. Test procedure is provided in the service manual.
- **85055A** 300 kHz to 18 GHz Type-N kit
Includes attenuators, airline and mismatch airline with data on a 3.5-inch disk for use in confirming accuracy enhanced system measurement performance, traceable to national standards. Test procedure is provided in the service manual.
- **85053B** 300 kHz to 26.5 GHz 3.5 mm kit
Includes attenuators, airline and mismatch airline with data on a 3.5-inch disk for use in confirming accuracy enhanced system measurement performance, traceable to national standards. Test procedure is provided in the service manual.
- **85051B** 300 kHz to 18 GHz 7 mm kit
Includes attenuators, airline and mismatch airline with data on a 3.5-inch disk for use in confirming accuracy enhanced system measurement performance, traceable to national standards. Test procedure is provided in the service manual.
- **R11645A** 26.5 to 40 GHz R-Band W-28 kit
Includes attenuators and mismatch attenuator with data on a 3.5-inch disk for use in confirming accuracy enhanced system measurement performance, traceable to national standards. Test procedure is provided in the service manual.
- **Q11645A** 33 to 50 GHz Q-Band W-22 kit
Includes attenuators and mismatch attenuator with data on a 3.5-inch disk for use in confirming accuracy enhanced system measurement performance, traceable to national standards. Test procedure is provided in the service manual.

General accessories

USB

- ❑ **N4688A** CD-ROM drive
Provides an external read/write CD-ROM drive with a USB cable.
- ❑ **N4689A** USB hub
Provides a USB hub for connecting additional USB peripherals.

Probe

- ❑ **85024A** high-frequency probe
Provides high-impedance in-circuit test capability from 300 kHz to 3 GHz.

Power meters and sensors

Recommended for self support, adjustments and performance tests to verify proper instrument operation.

- ❑ **E4418B** single-channel power meter
- ❑ **E4419B** dual-channel power meter
- ❑ **8481B** power sensor, 10 MHz to 18 GHz, Type-N (m), 25 W
- ❑ **8481A** power sensor, 10 MHz to 18 GHz, Type-N (m), 100 mW
- ❑ **8485A** power sensor, 50 MHz to 26.5 GHz, APC-3.5 mm (m), 100 mW
- ❑ **8487A** power sensor, 50 MHz to 50 GHz, 2.4 mm, 300 mW
- ❑ **8487D** power sensor, 50 MHz to 50 GHz, 2.4 mm, 100 mW
- ❑ **R8486A** power sensor, 26 GHz to 40 GHz, waveguide flange UG-599/U, 100 mW
- ❑ **Q8486A** power sensor, 33 GHz to 50 GHz, waveguide flange UG-383/U, 100 mW
- ❑ **E4412A** CW power sensor, 10 MHz to 18 GHz, Type-N (m), 200 mW

Amplifiers

- ❑ **83006A** power amplifier, 10 MHz to 26.5 GHz, 20 dB gain, power out: +18 dBm to 10 GHz or +16 dBm to 20 GHz or +14 dBm to 26.5 GHz
- ❑ **83017A** power amplifier, 50 MHz to 26.5 GHz, 25 dB gain, power out: +20 dBm to 20 GHz, or +15 dBm to 26.5 GHz
- ❑ **83018A** power amplifier, 2 to 26.5 GHz, 27 dB gain to 20 GHz or 23 dB to 26.5 GHz, power out: +24 dBm to 20 GHz or +21 dBm to 26.5 GHz
- ❑ **83020A** power amplifier, 2 to 26.5 GHz, 30 dB gain to 20 GHz or 27 dB to 26.5 GHz, power out: +30 dBm to 20 GHz or +26 dBm to 26.5 GHz
- ❑ **83050A** power amplifier, 2 to 50 GHz, 23 dB gain, power out: +20 dBm to 40 GHz or +17 dBm to 50 GHz
- ❑ **83051A** power amplifier, 45 MHz to 50 GHz, 23 dB gain power out: +12 dBm to 45 GHz or +10 dBm to 50 GHz

Couplers

- ❑ **87300B** coaxial coupler, 1 to 20 GHz, SMA (f), 10 dB coupling
- ❑ **87300C** coaxial coupler, 1 to 26.5 GHz, 3.5 mm (f), 10 dB coupling
- ❑ **87301D** coaxial coupler, 1 to 40 GHz, 2.4 mm (f) or optional 2.92 mm (f), 13 dB coupling
- ❑ **87310B** 90° coaxial coupler, 1 to 18 GHz, SMA (f), 3 dB coupling
- ❑ **87301E** coaxial coupler, 2 to 50 GHz, 2.4 mm (f), 10 dB coupling

Equipment racks and case

- ❑ **E3663AC** Rack mount flange kit, for use with handles; includes handles¹
- ❑ **5063-9237** Rack mount kit, for use without handles; may be ordered as option 1CM
- ❑ **5063-9217** Rack mount kit, for use with previously supplied handles; may be ordered as option 1CP
- ❑ **5063-9224** Rail kit, included with option 1CM and 1CP

Applications

Material measurement

- **85070D** High-Temperature Dielectric Probe Kit
The 85070D allows the measurement of the dielectric properties of materials quickly and conveniently. Measurements made with this probe are nondestructive and require no sample preparation. The dielectric probe is well suited for measurements of liquid, semisolid and flat solid materials. Measurement results can be viewed in a variety of formats (ϵ_r' , ϵ_r'' , $\tan \delta$ or Cole-Cole). The supplied software can be run in the PNA analyzer or on a PC.
- **85071D** Materials Measurement Software
The material software calculates the permittivity and permeability of material samples placed in a coaxial airline or a rectangular waveguide. The measurement technique works well for solid materials that can be machined to fit precisely inside a transmission line. Measurement results can be viewed in a variety of formats (ϵ_r' , ϵ_r'' , $\tan \delta$, $m r'$, $m r''$, $\tan \delta m$ or Cole-Cole). The software can be run in the PNA analyzer or on a PC.

Filter tuning

- **N4261A** Filter Tuning Software
This software will significantly reduce filter tuning training times and increase manufacturing throughput. Through the graphical user interface, visual training indicators show when the individual resonators and couplers in a filter have been tuned within specifications. The indicators also show the user when and how to tune each filter element, reducing the number of times each element has to be retuned before the filter meets specifications.

Peripherals

The following peripherals may be used with the Microwave PNA Series. Other peripherals not listed here may also be compatible with these instruments.

Monitors

VGA-compatible monitor

Printers

USB, LAN, parallel or serial printers with Microsoft® Windows® 2000 printer driver

Interface cables

Choose the appropriate cables to connect each peripheral to the network analyzer.

- **10833A GPIB** cable, 1.0 m (3.3 ft)
- **10833B GPIB** cable, 2.0 m (6.6 ft)
- **10833D GPIB** cable, 0.5 m (1.6 ft)

Upgrade kits

Upgrade kits for the Microwave PNA Series

Upgrade kits are available to add options after initial purchase. To order an upgrade kit for the Microwave PNA Series, order the analyzer's model number followed by a "U", then indicate the option to be added:

- **Option 010** time-domain upgrade kit
The serial number of the E8364A to be retrofitted must be specified when ordering this kit. Installation is not included.
- **Option 014** configurable test set upgrade kit
Includes installation at an Agilent service center.
- **Option 099** firmware upgrade
Provides the latest revision of firmware for the PNA Series on CD-ROM. Firmware is user-installable. Installation requires USB CD-ROM drive or external computer connected via LAN. The latest firmware is also available from our web site. Visit our web page at: www.agilent.com/find/pna
- **Option UNL** Extended power range
Adds a step attenuators and a bias tee between source and each test port. Includes installation at an Agilent service center.

1. The PNA Series analyzer is supplied with handles.

Literature and information

PNA Series Brochure

literature number 5968-8472E

Microwave PNA Series Data Sheet

literature number 5988-3992EN

Application and product notes

Application Development with the Agilent PNA Series of Network Analyzers

literature number 5980-2666ENUS

Understanding and Improving Network Analyzer Dynamic Range Application Note 1363-1

literature number 5980-2778EN

The “Need for Speed” in Component Manufacturing Test

literature number 5980-2783EN

Connectivity Advances in a LAN-enabled Instrument

literature number 5980-2782EN

De-embedding and Embedding S-parameter Networks Using the PNA Series Network Analyzer Application Note 1364-1

literature number 5980-2784EN

Understanding the Fundamental Principles of Vector Network Analysis Application Note 1287-1

literature number 5965-7707E

Exploring the Architectures of Network Analyzers Application Note 1287-2

literature number 5965-7708E

Applying Error Correction to Network Analyzer Measurements Application Note 1287-3

literature number 5965-7709E

Network Analyzer Measurements: Filter and Amplifier Examples Application Note 1287-4

literature number 5965-7710E

Improving Throughput in Network Analyzer Applications Application Note 1287-5

literature number 5966-3317E

Using a Network Analyzer to Characterize High-Power Components Application Note 1287-6

literature number 5966-3319E

Simplified Filter Tuning Using Time-Domain Analysis Application Note 1287-8

literature number 5968-5328E

In-Fixture Measurements Using Vector Network Analyzers Application Note 1287-9

literature number 5968-5329E

Advanced Filter Tuning Using Time Domain Application Note 1287-10

literature number 5980-2785EN

10 Hints for Making Better Network Analyzer Measurements Application Note 1291-1

literature number 5965-8166E

Key web resources

Visit Application Central at:
www.agilent.com/find/test

Visit the PNA Series home page at:
www.agilent.com/find/pna

Most application and product notes may be downloaded from our web site at:
www.agilent.com/find/tmappnotes/apps



Agilent Email Updates

www.agilent.com/find/emailupdates

Get the latest information on the products and applications you select.

Agilent Technologies' Test and Measurement Support, Services, and Assistance

Agilent Technologies aims to maximize the value you receive, while minimizing your risk and problems. We

strive to ensure that you get the test and measurement capabilities you paid for and obtain the support you need. Our extensive support resources and services can help you choose the right Agilent products for your applications and apply them successfully. Every instrument and system we sell has a global warranty. Support is available for at least five years beyond the production life of the product. Two concepts underlie Agilent's overall support policy: "Our Promise" and "Your Advantage."

Our Promise

Our Promise means your Agilent test and measurement equipment will meet its advertised performance and functionality. When you are choosing new equipment, we will help you with product information, including realistic performance specifications and practical recommendations from experienced test engineers. When you use Agilent equipment, we can verify that it works properly, help with product operation, and provide basic measurement assistance for the use of specified capabilities, at no extra cost upon request. Many self-help tools are available.

Your Advantage

Your Advantage means that Agilent offers a wide range of additional expert test and measurement services, which you can purchase according to your unique technical and business needs. Solve problems efficiently and gain a competitive edge by contracting with us for calibration, extra-cost upgrades, out-of-warranty repairs, and onsite education and training, as well as design, system integration, project management, and other professional engineering services. Experienced Agilent engineers and technicians worldwide can help you maximize your productivity, optimize the return on investment of your Agilent instruments and systems, and obtain dependable measurement accuracy for the life of those products.

Agilent T&M Software and Connectivity

Agilent's Test and Measurement software and connectivity products, solutions and developer network allows you to take time out of connecting your instruments to your computer with tools based on PC standards, so you can focus on your tasks, not on your connections. Visit

www.agilent.com/find/connectivity

for more information.

By internet, phone, or fax, get assistance with all your test & measurement needs

Online Assistance:

www.agilent.com/find/assist

Product specifications and descriptions in this document subject to change without notice.

**© Agilent Technologies, Inc. 2002
Printed in USA, September 18, 2002
5988-7879EN**

Copyright © 2002

Agilent Technologies, Inc.

Printed in USA, September 20, 2002

5988-3993EN

Microsoft® and Windows® are U.S. registered trademarks of Microsoft Corporation.



Agilent Technologies